

# NOVA LUCE

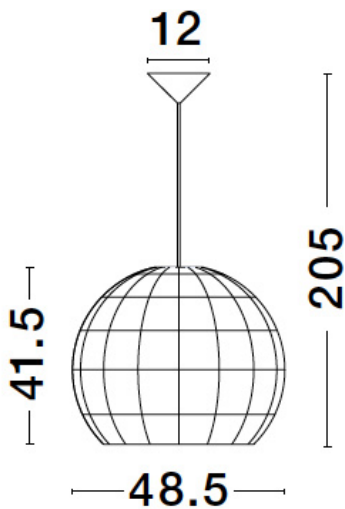
PRODUCT DATASHEET

Version: 001

## PRODUCT PHOTOGRAPH



## TECHNICAL DRAWING



## GENERAL INFORMATION

Product Code	9586502
Collection	Decorative
Product Category	Suspension
Product Family	Marlo
Mounting Location	Ceiling
Application Environment	Indoor

## DIMENSION & WEIGHT

LxWxH (cm)	D: 48,5 H: 205
Cut out (cm)	N/A
Weight (Kgr)	1.7

## MATERIAL & COLOR

Product Color	Natural
Body Material	Rattan

## APPLICATION & MOUNTING

Ambient Working Temp.	Max 45 oC
Type of Protection	IP20
Dimmable	Depends on the lamp
Type of Dimming (Optional)	N/A
Mounting type	Ceiling
Mounting Depth (cm)	N/A
Led Module Replaceable	Yes
Light Source	LED E27

NOVA LUCE S.A

Schimatari Viotias  
32009, Greece

+30 22620 58 121  
+30 22620 56 743

info@novaluce.com  
www.novaluce.com



# NOVA LUCE

## PRODUCT DATASHEET

Version: 001

### ELECTRICAL DATA

Power (Nominal)	<b>Depends on the lamp</b>
Input voltage (Nominal)	<b>220-240Vac</b>
Mains Frequency	<b>50/60Hz</b>

### PHOTOMETRICAL DATA

Luminous Flux	<b>Depends on the lamp</b>
Color Temperature	<b>Depends on the lamp</b>
Light Color (Designation)	<b>N/A</b>

### WARRANTY

Warranty	<b>3 Years</b>
----------	----------------

### CERTIFICATES

Certificates	<b>CE,UKCA</b>
--------------	----------------

