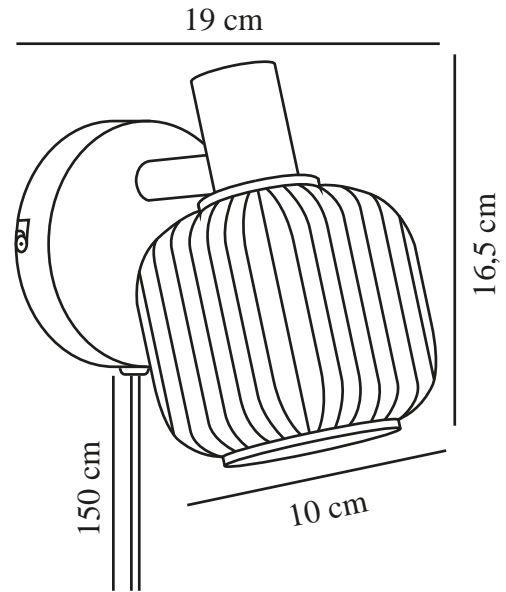


MILFORD MINI | WALL LIGHT | BLACK

2412631003

nordlux®



Voltage (V): 220-240 Volt
IP degree: IP20
Maximum bulb wattage (W): 10
Class (Class 1, Class 2, Class 3):
Class 2 (Double isolated)
Socket type: E14
Switch placement: On the cable
Parallel connection: False

Primary material: Glass
Secondary material: Metal
Colour of the cable: Black
Length of the cable (cm): 150
Surface material of the cable:
Plastic
Is the cable replaceable: True
Colour: Black

Height (cm): 16.5
Width (cm): 19
Shade Diameter (cm): 10
Length (cm): 19
EAN: 5704924018688
TUN: 2378773
Item Number: 2412631003
Pcs Per Master Carton: 3

Sales Box Height (cm): 13.5
Sales Box Width(cm): 16.5
Sales Box Depth (cm): 12
Sales Box Volume m³ : 0.0027
Product net weight (kg): 0.48

- Simple, modern design • Beautiful fluted glass
- Japandi style with a mix of opal glass and black metal

Milford Mini is a decorative series with mouth-blown opal glass that creates a soft and almost "pleated" look. The design is simple and modern with a mix of opal glass and black metal. The combination of the organic forms and the fluted surface creates a sense of elegance and illuminates the room with a soft light.